

ComPak (2G) 12-egg

Egg Design

Our egg cell is constructed for weight classes S, M, L

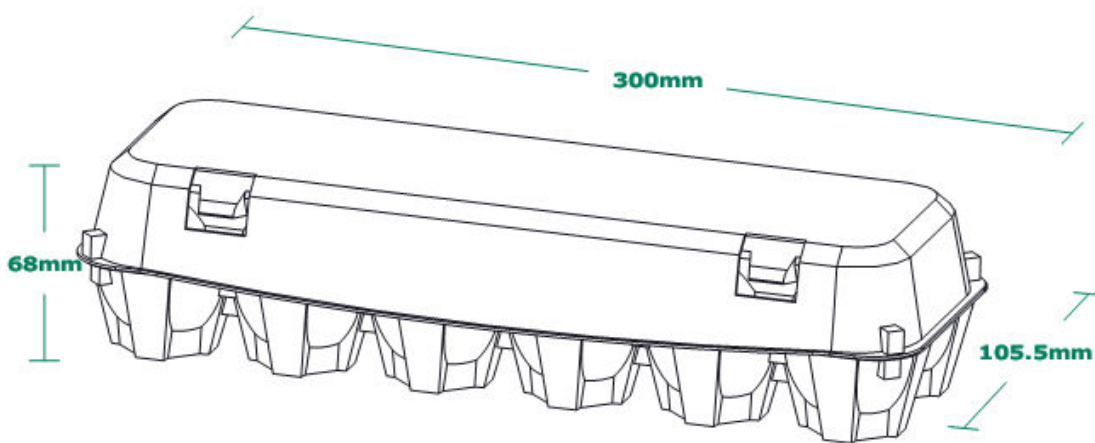
Dimensions:

Closed:

Width: 105.5mm

Height: 68mm

Length: 294mm

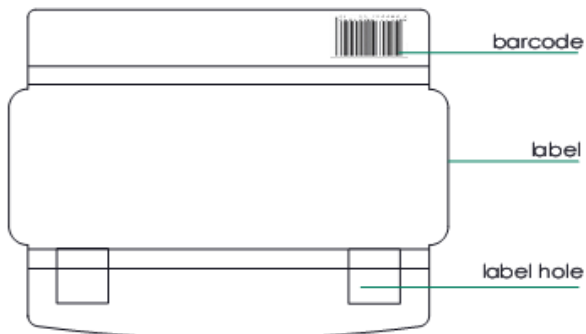


Quantities:

Pallets: Units per bundle: 150 Units per pallet: 4800

Label:

label guidelines



print areas

