

ComPak (G2) 15-egg

Egg Design

Our egg cell is constructed for weight classes S, M, L

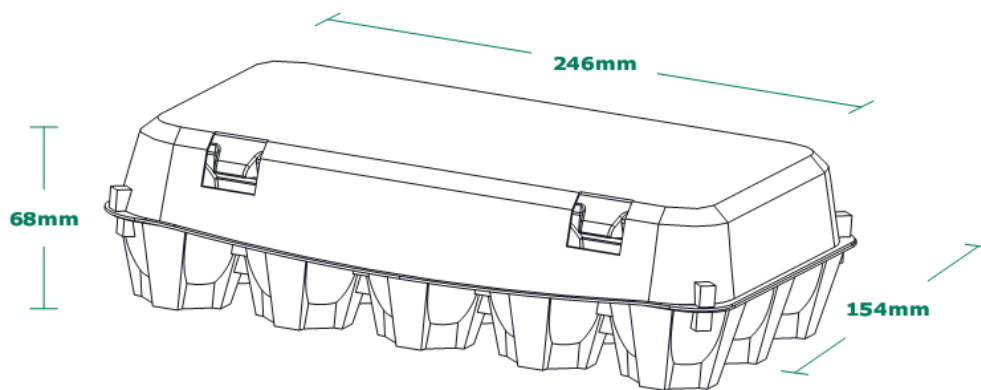
Dimensions:

Closed:

Width: 154mm

Height: 68mm

Length: 246mm



Weight Range:

68g---73g

Quantities:

Units per bundle: 106pcs Units per pallet: 3392pcs

Dimension of Bundle:

680mm in height, 245mm in width, and 505mm in length

Dimension of Pallet: 2.69 cubic meters

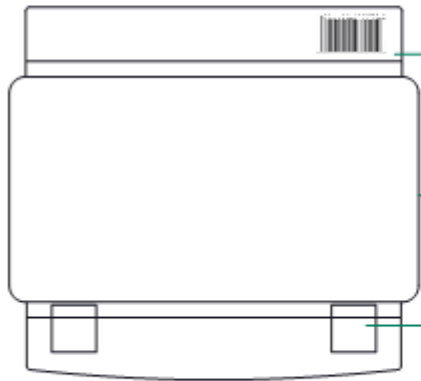
Container Capacity:

815 bundles per palletized 40HC, and 880 bundles per unpalletized 40HC

Label:

label guidelines

print areas



barcode

label

label hole

inside print

print rear side

barcode

print top side

print front side

hole

